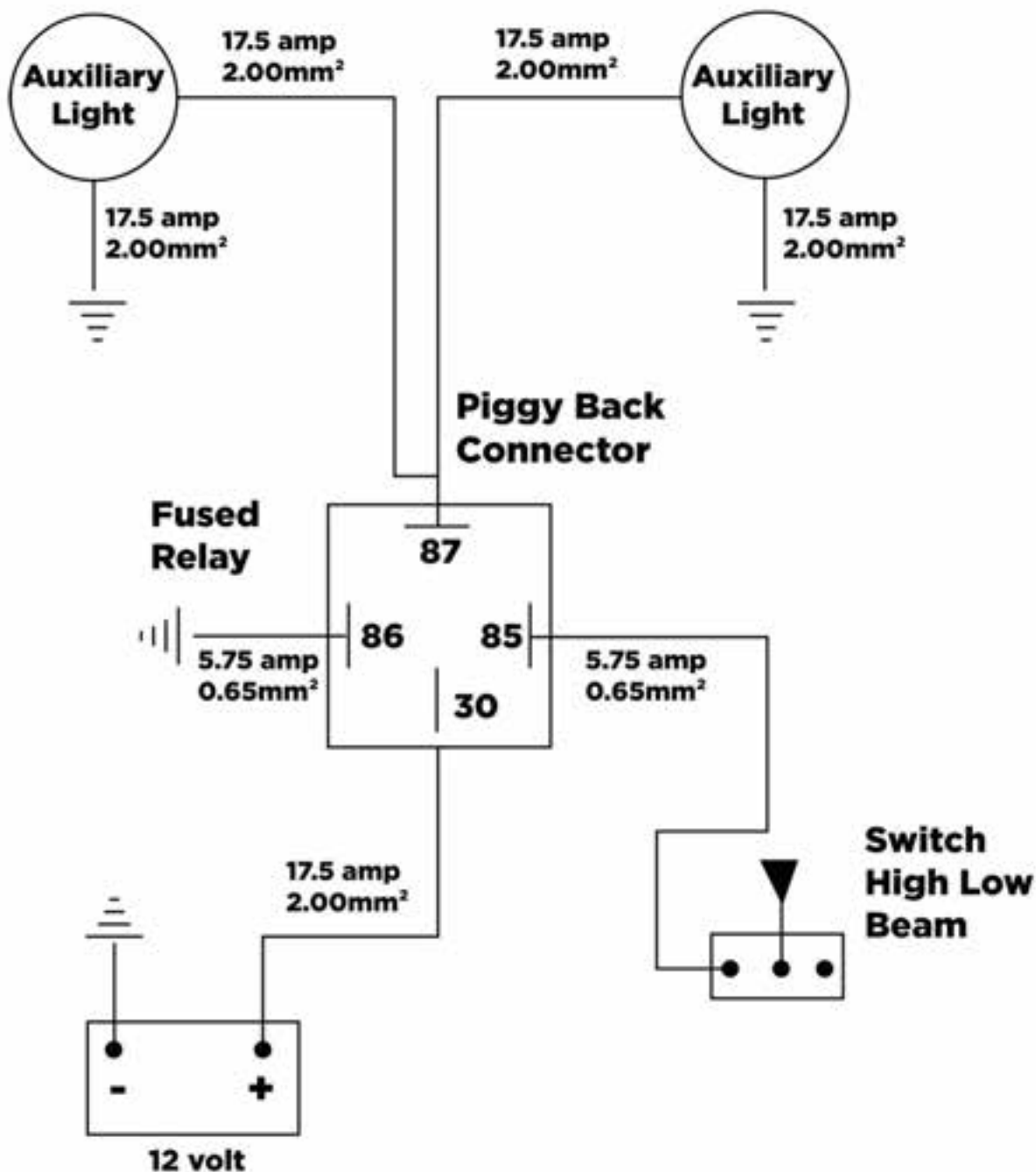


Auxiliary Light Wiring 12 Volt operated by vehicle high low beam switch



For driving, fog or work lights.

Extreme 4x4 does not accept any responsibility for parts, which are not fitted correctly.

Always drive your vehicle according to the prevailing conditions and your own driving ability.